

Model:

T90U

Erba Kälte
GmbH

DATA

General Data

Type	Hermetic Reciprocating
Technology Type	On-Off
Displacement	9,00 cm ³
Compressor Cooling	Fan
Expansion Device	Capillary Tube or Expansion Valve
Approval	CE
Power Supply	220-240 V / 50-60 Hz
Evaporating Temperature Range	-40 °C to 0 °C
Refrigerant	R 290

Electrical Data

Motor type	CSIR
Starting Torque	HST
Start Winding Resistance	25 °C: 18.7Ω ± 10 %
Run Winding Resistance	25 °C: 7.7Ω ± 10 %
Locked Rotor Current (LRC)	12,8 A

Mechanical Data

Oil Charge	200 ml
Oil Type Configuration	ESTER
Oil Type Viscosity	ISO32
Weight	10,0 Kg

Electrical Components

	Description
Motor Protection	GQR90U
Starting Device	GQR90U
Start Capacitor	50 μ F

External Characteristics

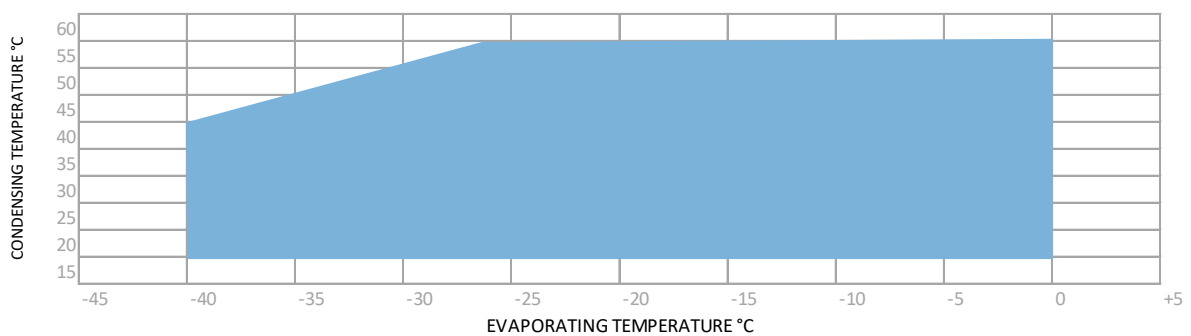
Tray Holder	No
Connector	Internal Diameter
Suction	6,2 mm \pm 0,1
Discharge	6,2 mm \pm 0,1
Process	6,2 mm \pm 0,1

PERFORMANCE

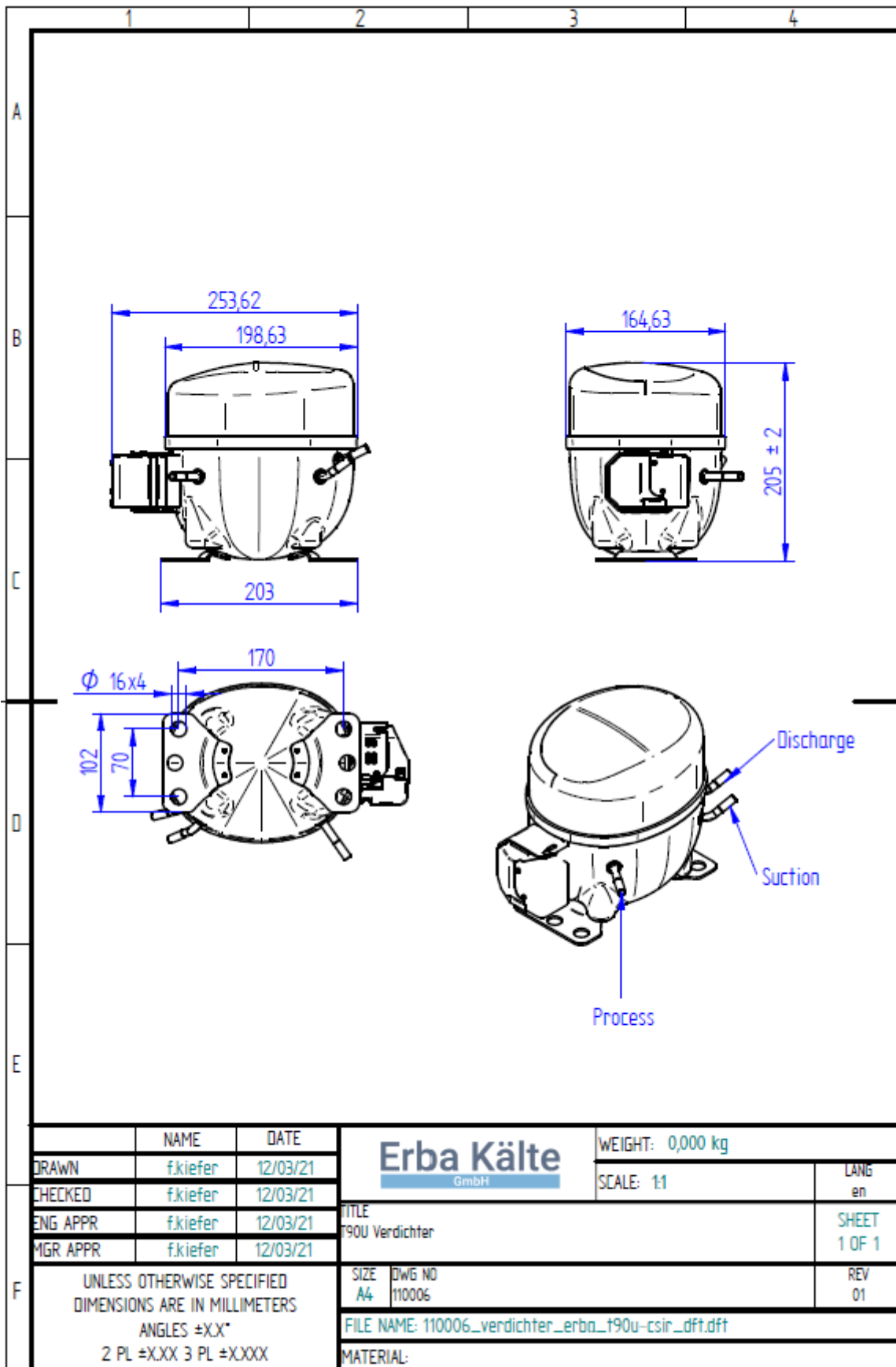
Performance Curve Data ASHRAE

Cooling Capacity ASHRAE +55°C												
-40°C	-35°C	-30°C	-25°C	Test Conditions: -23,3°C				-20°C	-15°C	-10°C	-5°C	0°C
W	W	W	W	Capacity (W)	Input Power (W)	Current (A)	COP (W/W)	W	W	W	W	W
210	253	328	390	450	310	1,9	1,45	485	568	685	826	996

Operating Envelope



External Dimensions



Electrical Connection Picture

