

Model:

J190U

Erba Kälte
GmbH

DATA

General Data

Type	Hermetic Reciprocating
Technology Type	On-Off
Displacement	19,00 cm ³
Compressor Cooling	Fan
Expansion Device	Capillary Tube or Expansion Valve
Approval	CE, CCC
Power Supply	220-240 V / 50-60 Hz
Evaporating Temperature Range	-40 °C to 0 °C
Refrigerant	R 290

Electrical Data

Motor type	CSIR
Starting Torque	HST
Start Winding Resistance	25 °C: 13.8 Ω ± 10 %
Run Winding Resistance	25 °C: 4.2 Ω ± 10 %
Locked Rotor Current (LRC)	25,6 A

Mechanical Data

Oil Charge	400 ml
Oil Type Configuration	ESTER
Oil Type Viscosity	ISO46
Weight	13,2 Kg

Electrical Components

	Description
Motor Protection	B115-105
Starting Device	QLZ-11,0 A
Start Capacitor	80 μ F
Run Capacitor	16 μ F

External Characteristics

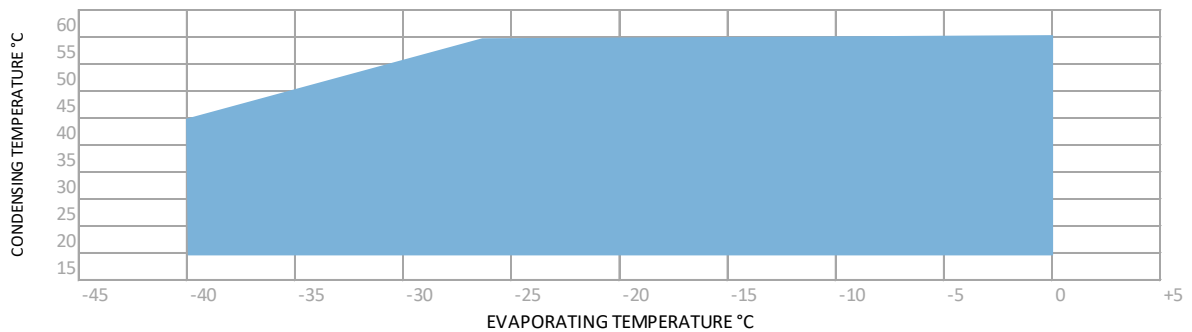
Tray Holder	No
Connector	Internal Diameter
Suction	8,1 mm \pm 0,1
Discharge	6,5mm \pm 0,1
Process	8,1 mm \pm 0,1

PERFORMANCE

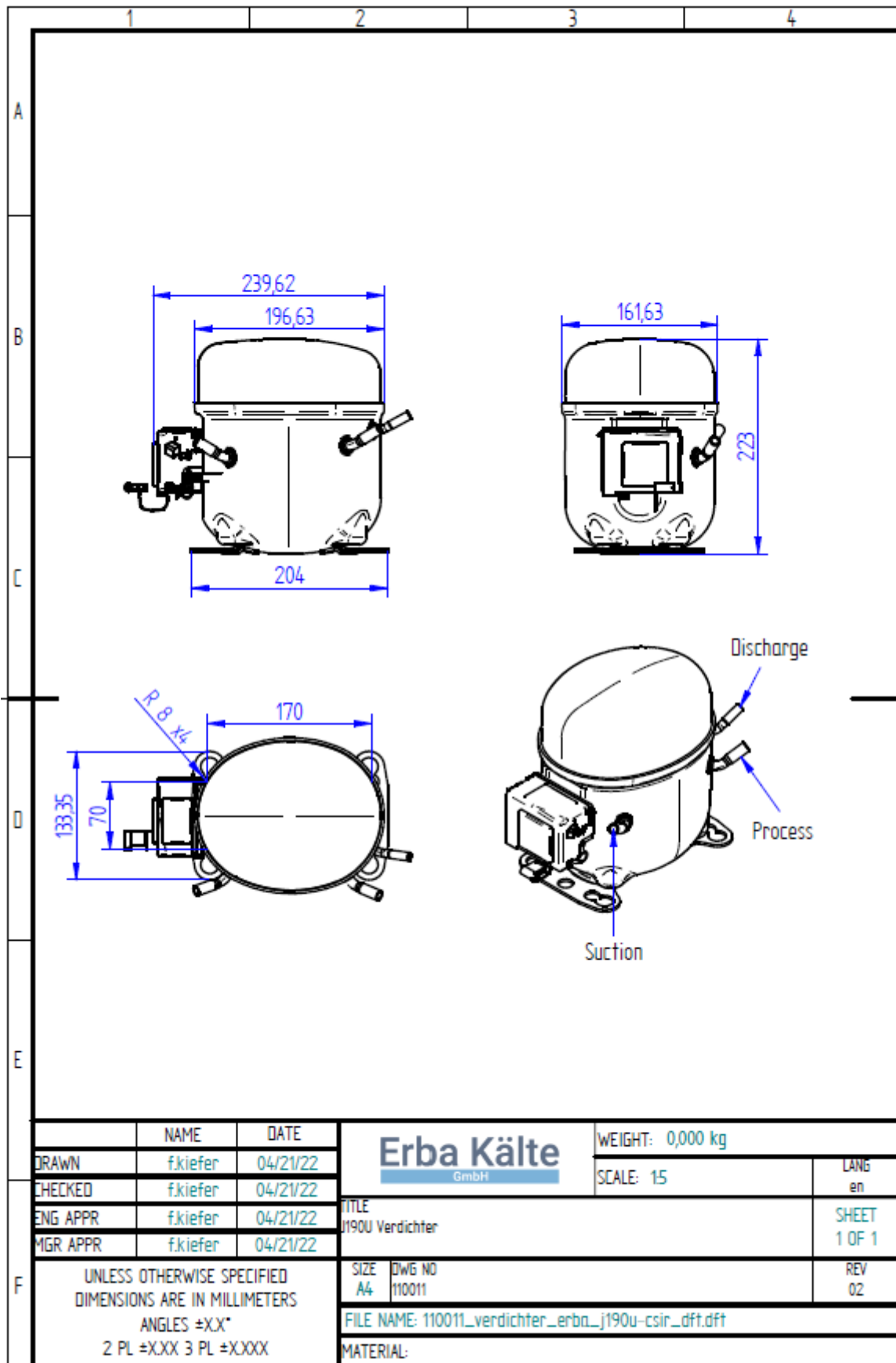
Performance Curve Data ASHRAE

Cooling Capacity ASHRAE +55°C													
-40°C	-35°C	-30°C	-25°C	Test Conditions: -23,3°C				-20°C	-15°C	-10°C	-5°C	0°C	
W	W	W	W	Capacity (W)	Input Power (W)	Current (A)	COP (W/W)	W	W	W	W	W	
400	500	660	850	790	750	3,8	1,30	1100	1250	1420	1580	1730	

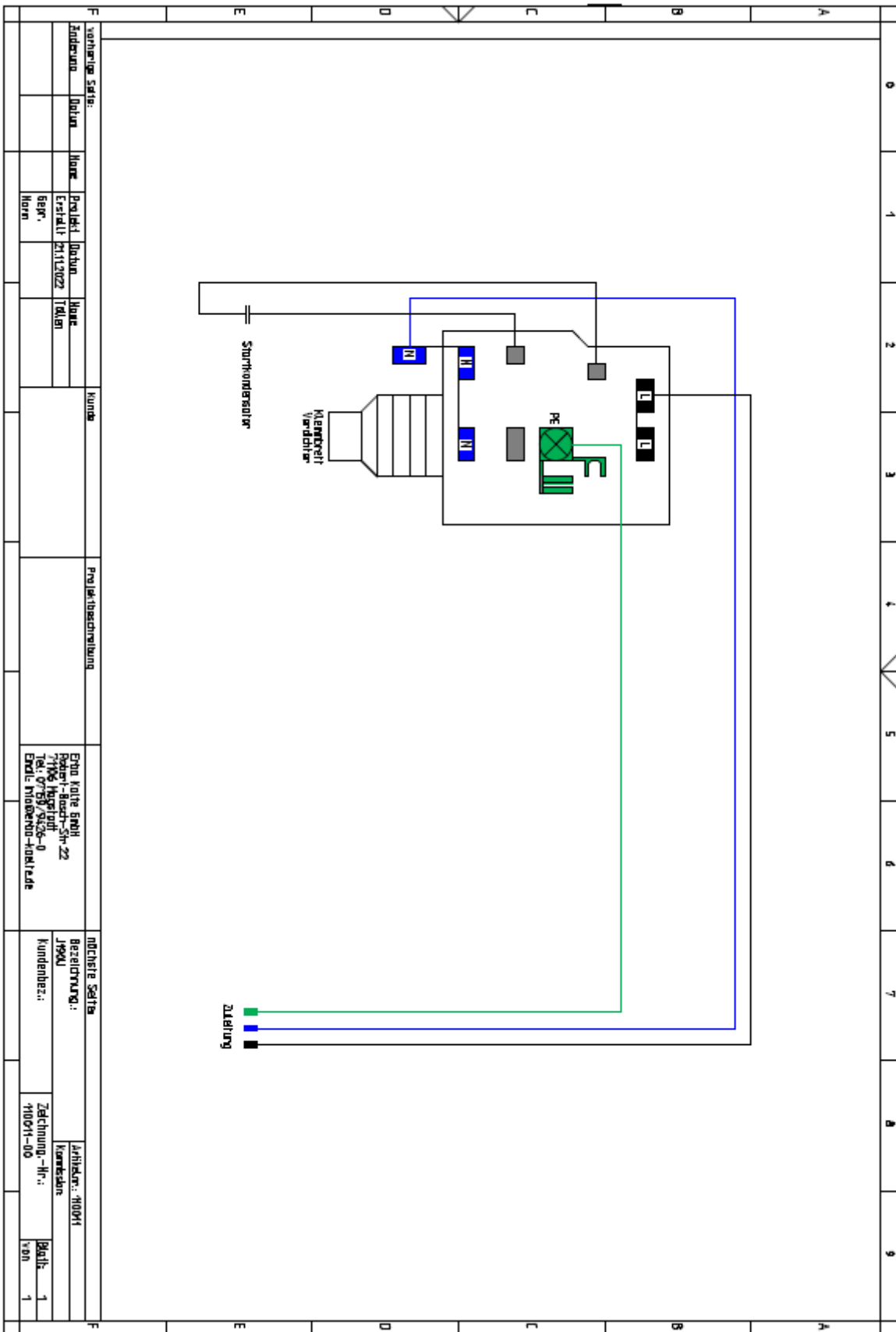
Operating Envelope



External Dimensions



Electrical Connection Picture



vorherige Seite:		Kunde		Projektbeschreibung		nachere Seite	
Zielergebnis	Datum	Name	Projekt	Ordnung	Name	Bezeichnung:	Arbeitsnr.: H001
			Erstellt	Zustimm.		Kundenbez.:	Kennzeichen
			Gepr.	Datum		Zählung: -Nr.:	Blatt:
			Name			H001-00	von
							1