

Model:

# J160U

**Erba Kälte**  
GmbH

## DATA

### General Data

<b>Type</b>	Hermetic reciprcating
<b>Technology Type</b>	On-Off
<b>Displacement</b>	16,15 cm <sup>3</sup>
<b>Compressor Cooling</b>	Fan
<b>Expansion Device</b>	Capillary Tube or Expansion Valve
<b>Approval</b>	CE, CCC
<b>Power Supply</b>	220-240 V / 50-60 Hz
<b>Evaporating Temperature Range</b>	-40 °C to 0 °C
<b>Refrigerant</b>	R 290

### Electrical Data

<b>Motor type</b>	CSIR
<b>Starting Torque</b>	HST
<b>Start Winding Resistance</b>	25 °C: 13.8 Ω ± 10 %
<b>Run Winding Resistance</b>	25 °C: 4.2 Ω ± 10 %
<b>Locked Rotor Current (LRC)</b>	22,4 A

### Mechanical Data

<b>Oil Charge</b>	400 ml
<b>Oil Type Configuration</b>	ESTER
<b>Oil Type Viscosity</b>	ISO46
<b>Weight</b>	12,90 Kg

## Electrical Components

	Description
<b>Motor Protection</b>	B115-105
<b>Starting Device</b>	QLZ-11.0 A
<b>Start Capacitor</b>	80 $\mu$ F
<b>Run Capacitor</b>	10 $\mu$ F

## External Characteristics

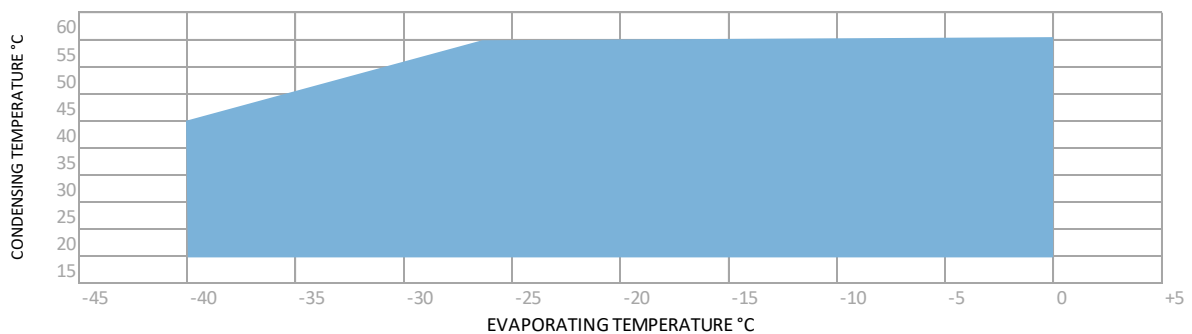
<b>Tray Holder</b>	No
<b>Connector</b>	Internal Diameter
<b>Suction</b>	8,1 mm $\pm$ 0,1
<b>Discharge</b>	6,5mm $\pm$ 0,1
<b>Process</b>	8,1 mm $\pm$ 0,1

## PERFORMANCE

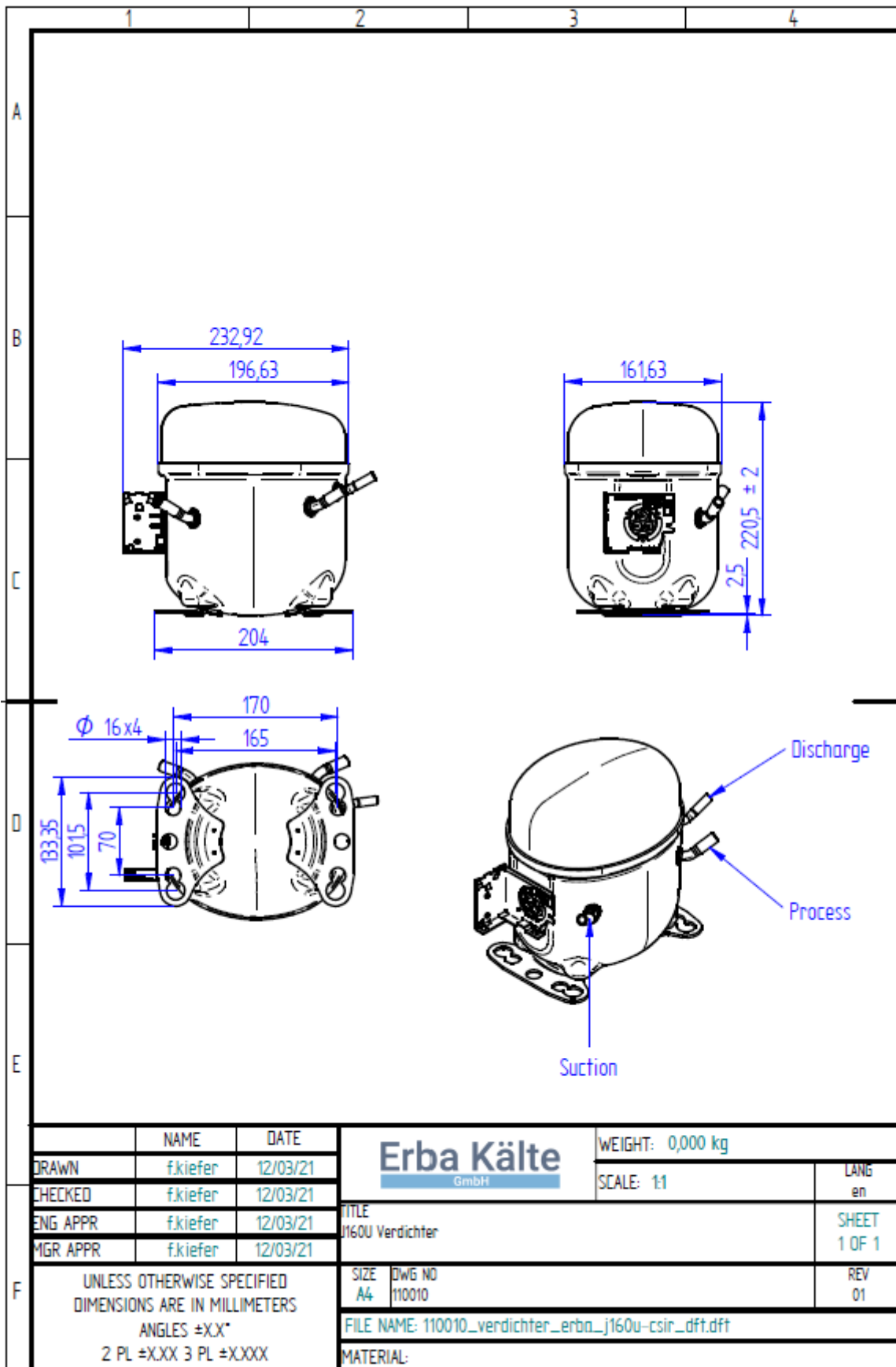
### Performance Curve Data ASHRAE

Cooling Capacity ASHRAE +55°C													
-40°C	-35°C	-30°C	-25°C	Test Conditions: -23,3°C				-20°C	-15°C	-10°C	-5°C	0°C	
W	W	W	W	Capacity (W)	Input Power (W)	Current (A)	COP (W/W)	W	W	W	W	W	
330	417	530	686	740	596	3,5	1,3	855	1055	1290	1320	1520	

## Operating Envelope



External Dimensions



Electrical Connection Picture

